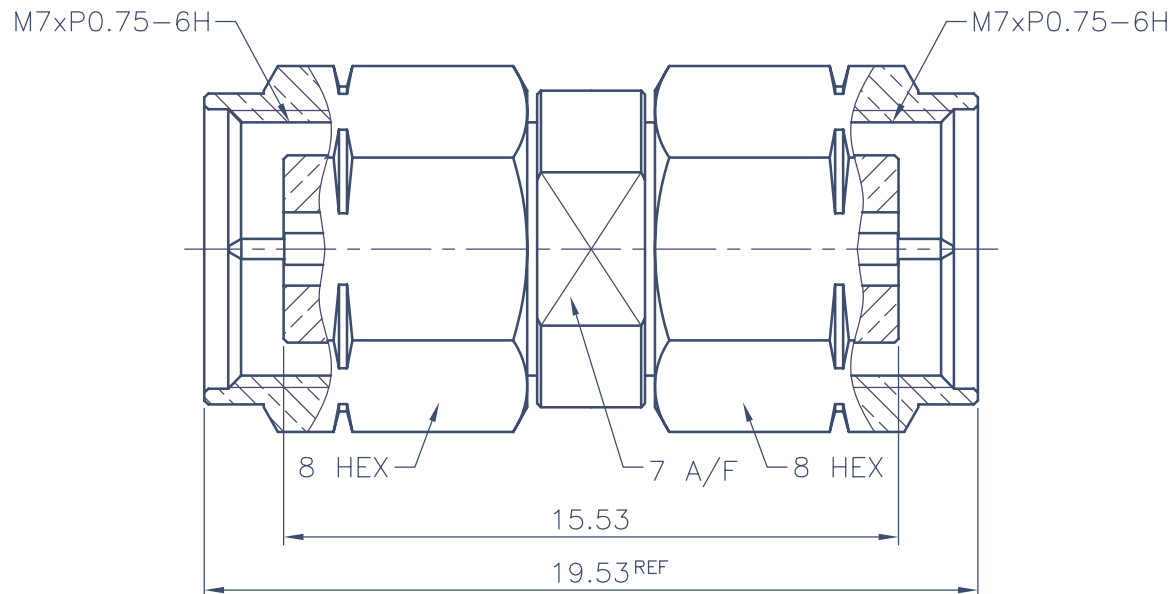


REVISIONS

ISS	SYMBOL	DESCRIPTION\DATE


FOR CUSTOMER

REMARK: RoHS COMPLIANT
(符合 RoHS)



NOTES: FINISH (PLATING THICKNESS IN MICRO-INCHES)

1. STAINLESS STEEL PER QQ-S-764, TYPE 303
2. PASSIVATED
3. GOLD PL 50 MIN THICK OVER
ELECTROLESS NICKEL PL 40 MIN THICK
OVER COPPER PL 40 THICK
4. BERYLLIUM COPPER PER QQ-C-530

					DIMENSIONS ARE IN MILLIMETERS				PART NO.			
					UNLESS OTHERWISE SPECIFIED TOLERANCES (一般公差)				APPROVED	DATE		
	SHELL	NOTE 1	NOTE 2			0.5~6 = ±0.2					11/21/08'	1.85mm PLUG TO PLUG ADAPTOR
	C RING	NOTE 4	NONE			>6~30 = ±0.4			CHECKED	DATE	11/21/08'	DRAWING NO. FL33B8-NS500SR001
	GASKET	SILICONE	RED			>30~120 = ±0.6						FILE NO. Z:\NND\3328\NS\500\001\FL33B8-NS500SR001-A1
	CONTACT PIN	NOTE 4	NOTE 3			>120~315 = ±1			DRAWN	DATE	11/21/08'	
	INSULATOR	REXOLITE	NATURAL			>315~1000 = ±1.6			<i>Alicia</i>	11/21/08'		
	BODY	NOTE 1	NOTE 2			ANGLES(角度) = ±5°						
NO.	DESCRIPTION	MATERIAL	FINISH	Q'TY	DRAWING NO.	SCALE	5/1	ISSUE	A1			